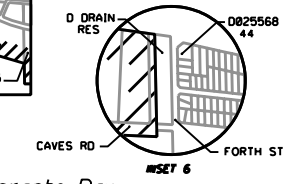
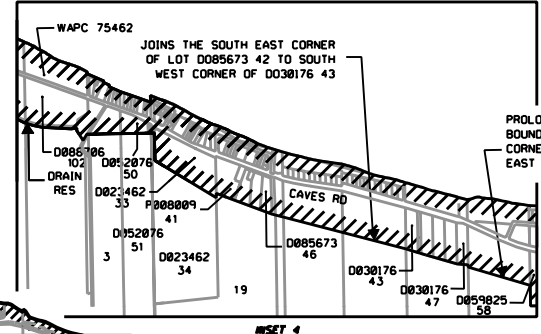
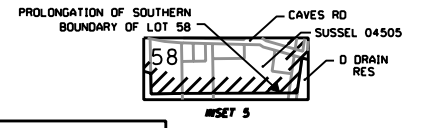
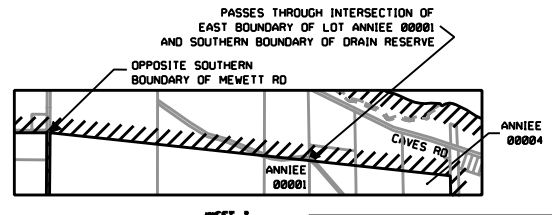
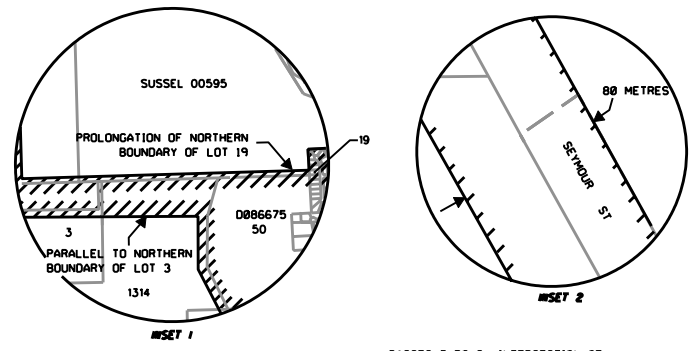


NOTE:
 THE BOUNDARY OF THE OPERATING AREA ~~SHOULD~~
 THE AREA INCLUDES RECLAIMED LAND AND
 PROJECTIONS INTO OR OVER THE WATER.

SEPTAGE AND SPECIALIST LIQUID WASTE SERVICES
 (EG GREASE TRAP WASTES) ARE PROVIDED BY OTHERS

COMMENCEMENT DATE OF LICENCE.....

TERM OF LICENCE 25 YEARS.....



24-03-2004	D	AMENDED OPERATING AREA	PD
16-10-2003	C	AMENDED OPERATING AREA TO EXCLUDE FORTH STREET	DO NT
28-08-2003	B	AMENDED OPERATING AREA TO INCLUDE SMITHS BEACH	DO NT
09-07-1999	A	REDUCED OPERATING AREA	SM JH
29-03-1999		NEW DRAWING SHOWING AMENDED OPERATING AREA	ST JH
08-01-1998		ORIGINAL ISSUE - DRG OWR-OA-098/3A	JA WJP
DATE	No.	DESCRIPTION	DRN CHK

APPROVED :

 L. ROWE

DATE :

 01/09/2004

**WATER SERVICES LICENSING ACT 1995
 DUNSBOROUGH OPERATING AREA
 SEWERAGE SERVICES
 LICENSEE : WATER CORPORATION**

DRAWN S.MASTERS	CHECKED J.HARRIS	DATE 9 JULY 1999	PLAN NO. OWR-OA-203
FILE No.			ISSUE D
			ORIG SIZE A3